

Panasonic®

Digital Signal Processing 1/3-type B/W CCD Cameras **WV-BP330 series**



(Lens: option)

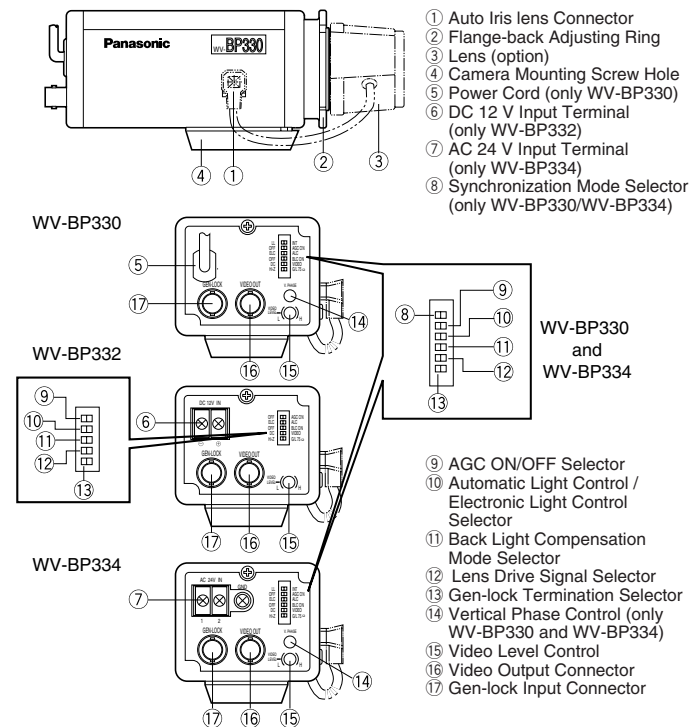
Panasonic presents advanced CCTV technology to meet the demands of new and ever-changing applications. The 1/3-type CCD Digital Signal Processing B/W WV-BP330 Series Cameras deliver high-quality pictures, versatile digital functions, and system integration capability. The WV-BP330 series cameras incorporate a 1/3-type interline transfer type CCD (380,000 pixels: effective). Plus, high sensitivity of 0.008 fc (0.08 lx) at F1.4, 570-line horizontal resolution, and a signal-to-noise ratio of 50 dB. To further extend its versatility, an advanced Back-Light Compensation (BLC) function delivers crisp, sharp, pictures even under extreme lighting condition.

With its advanced performance and expanded flexibility, the WV-BP330 series cameras can meet your specific needs at an affordable price.

KEY FEATURES

- 1/3-type CCD pick-up element with 768 (H) x 492 (V) pixels provides 570 lines of horizontal resolution.
- A vertical digital 2H enhancement and digital aperture correction improves signal strength at the horizontal and vertical edges to provide a crisper images.
- Advanced digital adaptive backlight compensation (BLC) capability.
- Knee circuit effectively expands the dynamic range when viewing brightly illuminated objects.
- Outstanding 50 dB of signal-to-noise ratio provides natural looking images.
- Minimum scene illumination of
 - 0.08 lx (0.008 fc) at F1.4
 - 0.06 lx (0.006 fc) at F1.2
 - 0.02 lx (0.002 fc) at F0.75
- A specially developed lens mount configuration accepts both C and CS mount lenses, as well as both DC and Video voltage for ALC lenses.
- An advanced Electronic Light Control (ELC) enables the use of inexpensive fixed iris lenses for more cost effective systems.
- Gen-lock capability for system expandability, and a variety of synchronization modes (Line-Lock, VD2, Internal) are also available.
- WV-BP330 Camera Series are
 - WV-BP330 ; 120V AC, 60 Hz
 - WV-BP332 ; 12V DC
 - WV-BP334 ; 24V AC, 60 Hz

MAJOR OPERATING CONTROLS



OPTIONAL ACCESSORIES

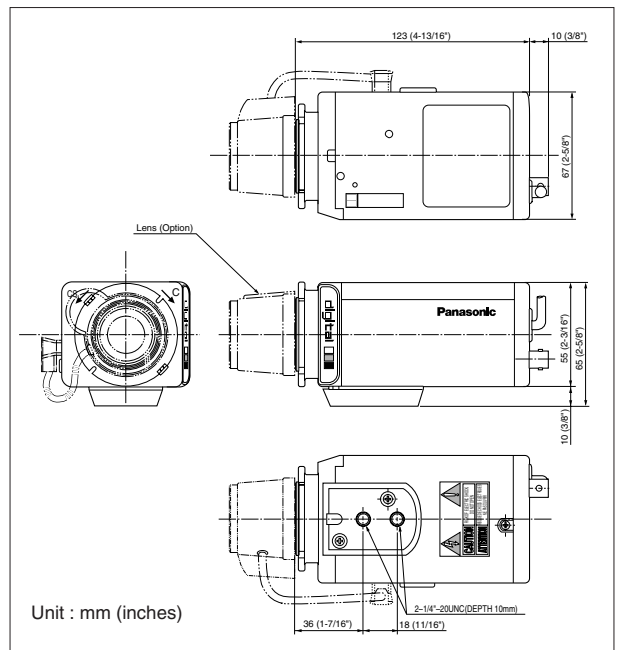
Digital Video Multiplexers WJ-FS309 WJ-FS316 	ALC Lenses WV-LA2R8C3B WV-LA4R5C3B WV-LA9C3B WV-LA210C3 WV-LA408C3 WV-LA908C3 
Sequential Switchers WJ-SQ208 WJ-SQ308 	Video Monitors WV-BM500 WV-BM503 WV-BM990 WV-BM1410 WV-BM1790 WV-BM1910 
Digital Disk Recorders WJ-HD100 WJ-HD500A 	Time-Lapse VCRs AG-6124 AG-RT600 AG-6040 AG-TL500 AG-6740 

SPECIFICATIONS

Models	WV-BP330	WV-BP332	WV-BP334
Pick-up Device	768 (H) x 494 (V) pixels, Interline Transfer CCD		
Scanning Area	4.9 (H) x 3.7 (V) mm (Equivalent to scanning area of 1/3" pick-up tube)		
Synchronization	Internal, External, Line-locked or Multiplexed vertical drive (VD2) selectable		
Scanning System	2 : 1 interlace		
Scanning	525 lines / 60 fields / 30 frames Horizontal: 15.734 kHz Vertical: 60 Hz		
Horizontal Resolution	570 lines		
Video Output	1.0 V[p-p] EIA composite 75 Ω / BNC connector		
Signal-to-Noise Ratio	50 dB (AGC OFF)		
Electronic Light Control	Equivalent to continuous variable shutter speed between 1/60 s and 1/10,000 s		
Minimum Illumination	0.08 lx (0.008 fc) at F1.4, 0.06 lx (0.006 fc) at F1.2, 0.02 lx (0.002 fc) at F0.75		
Back Light Compensation	Adopted auto back light compensation On/Off selectable		
Lens Mount	C-mount or CS-mount selectable		
Ambient Operating Temperature	-10°C - +50°C (14°F - 122°F)		
Ambient Operating Humidity	Less than 90%		
Power Source and Power Consumption	120V AC 60 Hz 3.5W	12V DC 250 mA	24V AC 60 Hz 3.5W
Dimensions (without lens)	67 (W) x 55 (H) x 123 (D) mm [2-5/8" (W) x 2-3/16" (H) x 4-13/16" (D)]		
Weights (without lens)	0.62 kg (1.4 lbs)	0.445 kg (0.98 lbs)	0.470 kg (1.04 lbs)

Specifications are subject to change without notice.
 Dimensions and weight are approximate.
 This product may be subject to export control regulations.

APPEARANCE



Panasonic

Panasonic Security & Digital Imaging Company
 A Division of Matsushita Electric Corporation of America
Security Systems Group

Executive Office: One Panasonic Way 3E-7, Secaucus, New Jersey 07094

Zone Office

Eastern : One Panasonic Way, Suite 3E-7, Secaucus, NJ 07094 (201) 348-7303

Western : 6550 Katella Ave., Cypress, CA 90630 (714) 373-7840

<http://cctv.panasonic.com/>

DISTRIBUTED BY:

VSD-4132 [03188.1](30k)

PANASONIC CANADA INC.

5770 Ambler Drive, Mississauga, Ontario, L4W 2T3 Canada (905) 624-5010

PANASONIC SALES COMPANY

DIVISION OF MATSUSHITA ELECTRIC OF PUERTO RICO, INC.

San Gabriel Industrial Park 65th Infantry Ave. KM. 9.5 Carolina, P.R. 00985 (809) 750-4300